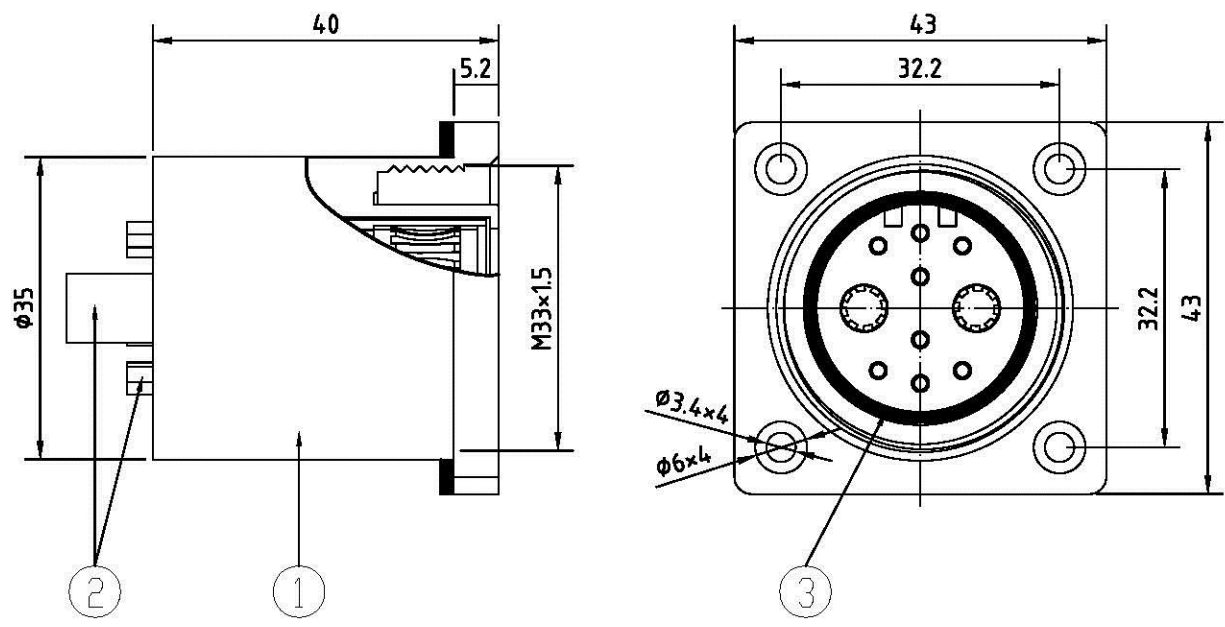


REV.	Description	Date

Specification of connector

- Locking system : Screw M33
- Shell protection : IP67
- Rated voltage : 250V
- Rated current : Large pin 70A
: Small pin 10A
- Contact resistance : $\leq 10m\Omega$



RoHS
LEAD FREE
TOLERANCE X \pm 0.5 .X \pm 0.3

3	O ring	Rubber	
2	Pin	Brass	Gold plated
1	Body	PA	
Item	Description	Material	Treat & Remark

Allconnectors

www.allconnectors.de
Tel.: 0049 711 7009503
70794 Filderstadt - Germany

info@allconnectors.de
Fax: 0049 711 7009504
Kettnerstr. 25

DATE	2013/2/27	PART NO.	UT-SD280F1-XP
DWN	GINA	REV.	0
CHK			
ITEM	High Power	UNIT	MM